

**BAR  
SERIES**

BAR.V23.1



**TRIMECCANICA**

PROGETTAZIONE - COSTRUZIONE - ASSISTENZA

# BAR

**RAKE BUCKET**

Made in Italy

## FOR MICRO AND MINI-EXCAVATORS

Rake bucket "BAR". The ideal choice for light and medium-sized soil operations as aerating, de-stoning and removing debris from topsoil, as well as for clearing light brush, brambles and grass removal in preparation for replanting. Made of heavy-duty steel S355 and abrasion resistant steel 450 HB. The wide range of models allows the perfect match for every excavator from 0,6 to 6 ton, providing the best performance for each specific class and application.



Reinforced  
construction



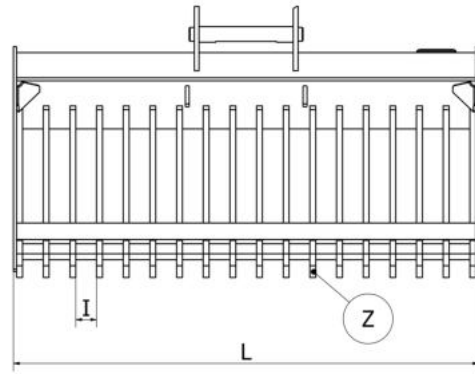
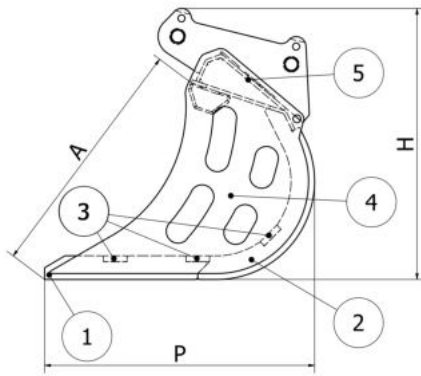
Simple tips  
or fitted  
with teeth.



Available  
with 6  
different  
couplers

# BAR SERIES

BAR.V23.1



## Technical features

Classe	Operating weight (Q)	Thickness (mm)				
		1 HB450	2 S355	3 S355	4 HB450	5 S355
T10	06 - 13	8	8	30X8	8	5
T20	12 - 18	10	10	35X10	10	6
T22 - T30	20 - 40	12	12	40X8	12	6
T38 - T45	40 - 60	15	15	60X15	8	8

## Dimensions (mm)

Classe	Kg	A	P	H	L	Z
T10	30	300	308	360	600	13
T20	70	370	420	470	1000	20
T22 - T30	100	400	440	460	1200	19
T38 - T45	220	624	690	690	1500	18

Optional:  
• Quick coupler

• Different sizes available on request. Trimeccanica company reserves the right to change, modify or improve the characteristics above at any time and without any prior notice.