

**GRI
SERIES**

GRI.V23.1



TRIMECCANICA

PROGETTAZIONE - COSTRUZIONE - ASSISTENZA

GRI

SKELETON BUCKET

Made in Italy

FOR MINI, MIDI AND EXCAVATORS

Skeleton buckets "GRI". The ideal choice for separating materials, exceptionally suited for loading and sorting work. Skeleton Buckets are mainly used for filtering out rock or paving stones, for recycling building rubble and loading of crushing and screening plant. The wide range of models allows the perfect match for every excavator from 1,2 to 38 ton, providing the best performance for each specific class and application.



Reinforced
corner



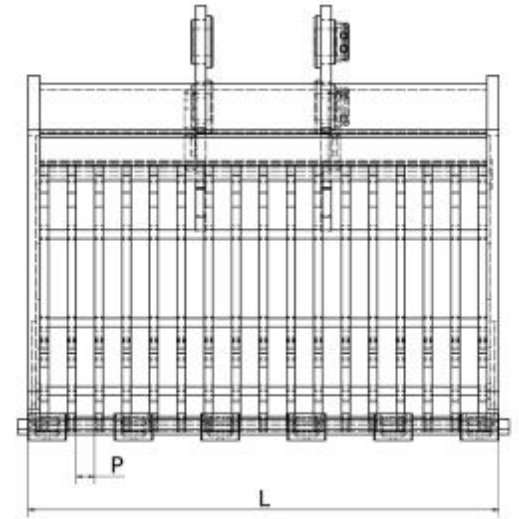
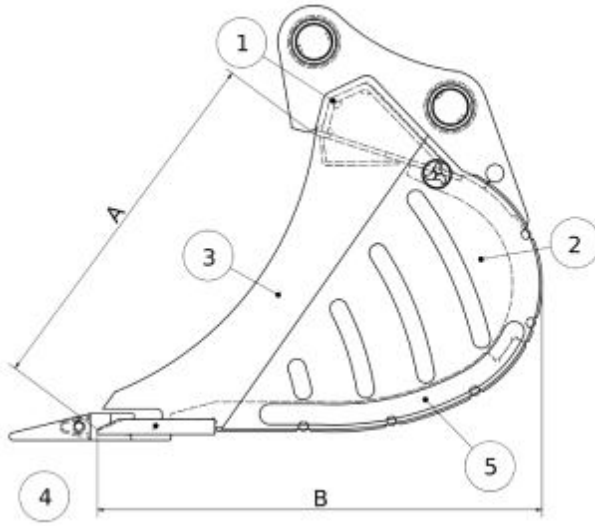
Integral
skeleton
structure



Perforated
and
reinforced
side

GRI SERIES

GRI.V23.1



Technical features

Class	Operating weight (Q)	Thickness (mm)				
		1	2	3	4	5
		S355	S355	S355	HB250	S355
T20...	12-18	6	4	10	150X16	6
T22...	18-28	6	4	12	150X16	6
T30...	28-40	8	5	12	150X20	6
T38...	40-60	8	5	15	200X20	6
T45...	55-80	8	6	15	200X20	6
		S355	S355	HB450	HB450	S355
T46...	75-100	8	6	20	250X25	8
T48...	100-120	8	8	20	250X25	8
T55...	120-150	10	8	25	250X30	10
T58...	150-190	10	8	25	250X30	10
T63...	190-210	12	10	25	300X40	12
T64...	210-250	15	10	30	300X40	12
T68...	250-300	15	10	35	400X40	12
T70...	300-380	20	12	35	400X50	15

Equipment

Class	GRI	GRI/E	GRI/F	GRI/H
T20...	E501	V13	-	XS04
T22...	E501	V13	-	XS04
T30...	E521	V13/17	-	XS04/05
T38...	E504	V17	-	XS05
T45...	E504	V17	-	XS05
T46...	J250	V19	225L	XS10
T48...	J250	V19	250RC	XS10
T55...	J300	V23	300RC	XS15
T58...	J300	V29	300RC	XS20
T63...	J350	V29	350RC	XS20
T64...	J350	V33	350RC	XS25
T68...	J400	V39	400RC	XS30
T70...	J460	V43	450RC	XS40

Dimensions (mm)

Class	A	B	L	P
T20...	370	425	600	60
T22...	390	450	700-800	60
T30...	490	500	700	60
T38...	620	690	900	70
T45...	690	760	900	70
T46...	750	840	900	70
T48...	805	900	1000	70
T55...	950	1050	1000/1200	70-90
T58...	1000	1100	1000/1200	70-100
T63...	1100	1200	1300/1500	70-110
T64...	1150	1350	1300/1500	70-110
T68...	1200	1450	1300/1500	80-100
T70...	1250	1500	1300/1500	100

Optional:

- Quick coupler
- Without teeth
- Double bottom

• Different sizes available on request. Trimeccanica company reserves the right to change, modify or improve the characteristics above at any time and without any prior notice.