

**IMG  
SERIES**

IMG.V23.1




**TRIMECCANICA**

PROGETTAZIONE - COSTRUZIONE - ASSISTENZA

# IMG

**GENERAL PURPOSE BUCKET**

  
Made in Italy

## FOR MIDI AND EXCAVATORS

General purpose buckets "IMG". The ideal choice for loading and digging of light and medium-sized soil as farmland, sand, such as soil, non-compact sand, gravel and dry clay. Made of heavy-duty steel S355 and abrasion resistant steel 250 HB and 450 HB. The wide range of models allows the perfect match for every excavator from 7,5 to 30 ton, providing the best performance for each specific class and application.



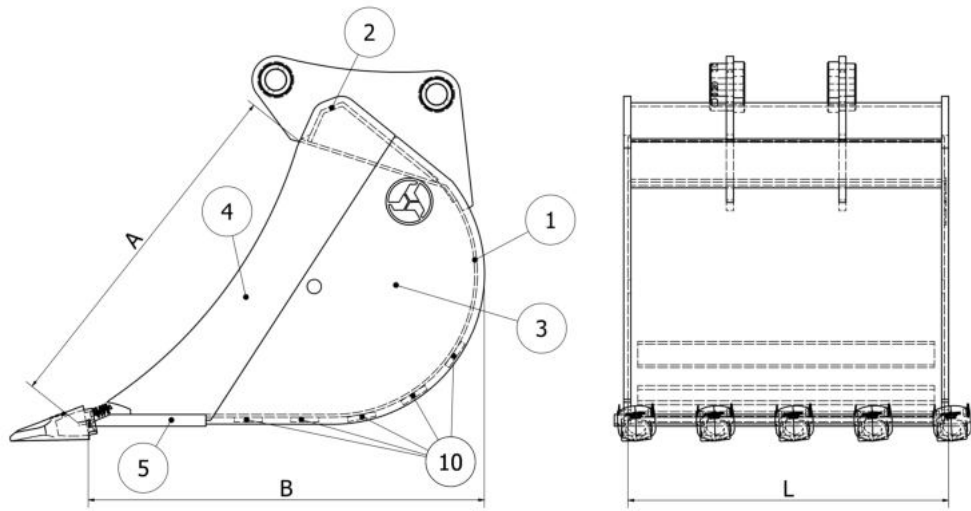
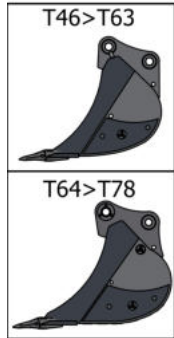
Light and  
inexpensive



Available  
with 3  
different  
equipment



Available  
with 6  
different  
couplers



### Technical features

Classe	Operating weight (Q)	Thickness (mm)					
		1 S355	2 S355	3 S355	4 HB450	5 HB250	6 HB400
T46	75-100	6	8	6	15	200X25	60X8
T48	100-120	6	8	6	15	200X25	60X8
T55	120-150	8	10	6	20	250X30	80X10
T58	150-190	10	10	6	20	250X30	80X10
T63	190-210	10	10	8	20	300X30	100X10
T64	210-250	10	15	8	25	300X40	100X10
T68	250-300	12	15	8	25	400X40	100X10

### Equipment

Class	IMG	IMG/E	IMG/F
T46	J225	V17/19	225L
T48	J250	V19	250RC
T55	J300	V23	300RC
T58	J300	V29	300RC
T63	J300	V29	300RC
T64	J350	V33	350RC
T68	J350	V33	350RC

### Dimensions (mm)

Class	A	B	L
T46	750	840	300-1100
T48	805	900	400-1300
T55	950	1050	400-1400
T58	1000	1100	400-1400
T63	1100	1200	500-1600
T64	1150	1350	500-1600
T68	1200	1450	600-1700

#### Optional:

- Quick coupler
- Scarping side cutters\*
- Double reinforced bottom

\* Different sizes available on request. Trimeccanica company reserves the right to change, modify or improve the characteristics above at any time and without any prior notice.