

**MIC  
SERIES**

MIC.V23.1




**TRIMECCANICA**

PROGETTAZIONE - COSTRUZIONE - ASSISTENZA

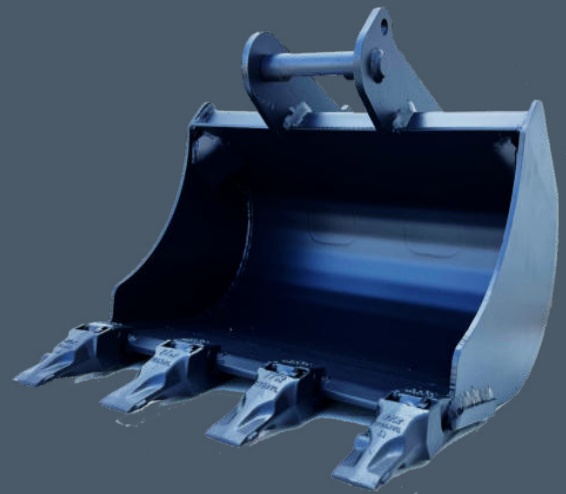
# MIC

**MICRO BUCKETS**

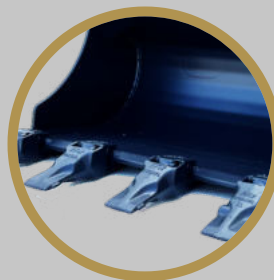
  
Made in Italy

## FOR MICRO EXCAVATORS

Micro digging bucket "MIC". The ideal choice for loading, digging, picking up, transporting and pouring out light and medium-sized soils and medium-heavy grounds in gardening and landscaping and on construction sites with smaller construction areas. The wide range of models allows the perfect match for every excavator from 0,6 to 1,2 ton, providing the best performance for each specific class and application.



Light and  
inexpensive



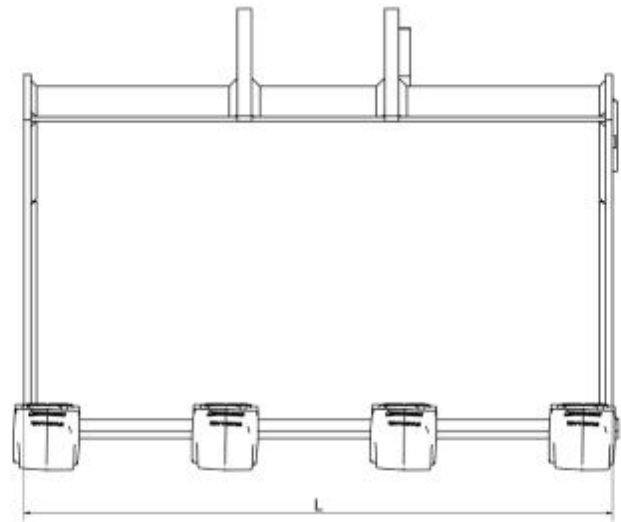
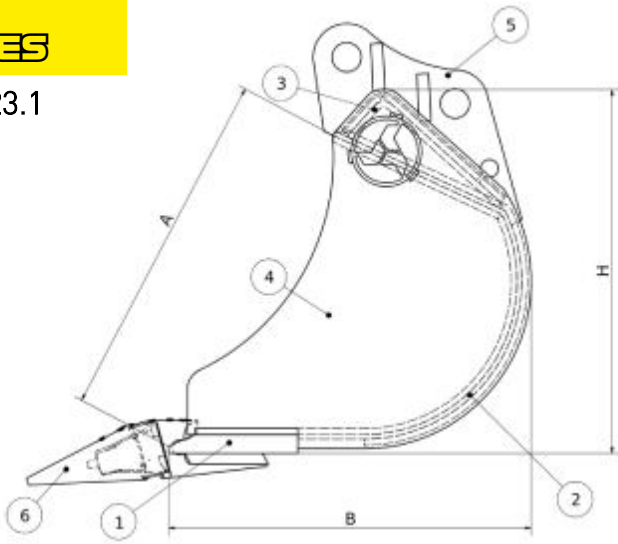
Available  
with 3  
different  
equipment



Monolithic  
broadside

# MIC SERIES

MIC.V23.1



## Technical features

Class	Operating weight (Q)	Thickness (mm)					
		1	2	3	4	5	6
		<b>250HB</b>	<b>S355</b>	<b>S355</b>	<b>S355</b>	<b>S355</b>	<b>Teeth</b>
T10	0-12	110X16	4	5	6	12	V13

## Equipment

Class	STD	STD/P	STD/E
T10	E11	E501	V13

## Dimensions (mm)

Class	A	B	H	L
T10	293	308	308	200-800

### Optional:

- Weld-on side cutters Kit
- 800 mm without teeth ditch cleaning
- Quick coupler
- Scarping cutter

• Different sizes available on request. Trimeccanica company reserves the right to change, modify or improve the characteristics above at any time and without any prior notice.