

**PRO
SERIES**

PRO.V23.1

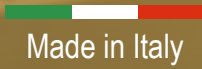


TRIMECCANICA

PROGETTAZIONE - COSTRUZIONE - ASSISTENZA

PRO

REINFORCED ROCK BUCKET



Made in Italy

FOR MINI, MIDI, BACKHOE AND EXCAVATORS

Reinforced rock bucket "PRO". The ideal choice for extraction, excavation and loading of highly abrasive hard materials, for use in rocky and abrasive terrain. Made of heavy-duty abrasion resistant steel 400HB, 450HB and 500HB. The wide range of models allows the perfect match for every excavator from 1,2 to 80 ton, providing the best performance for each specific class and application.



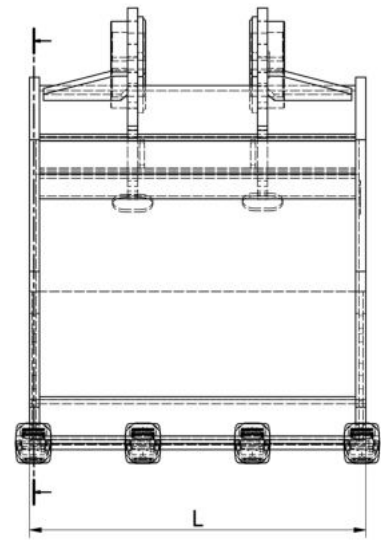
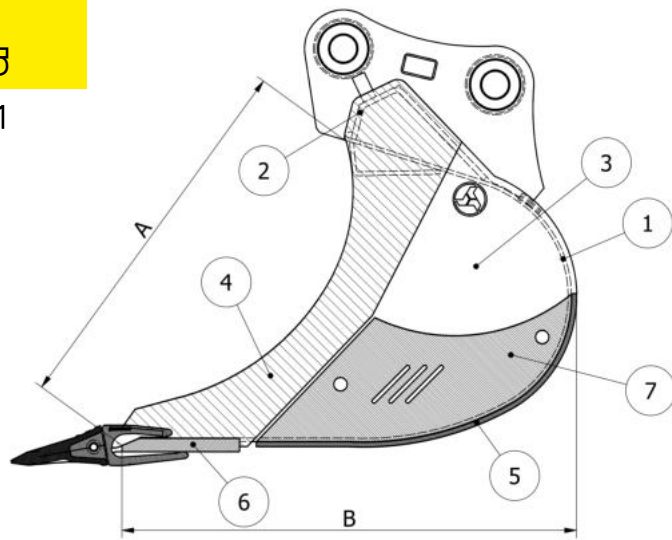
Reinforced
chassis
and bottom



Available
with 3
different
equipment



Available
with 6
different
couplers



Technical features

Class	Operating weight (Q)	Thickness (mm)						
		1 HB450	2 S355	3 HB450	4 HB450	5 HB450	6 HB450	7 HB450
T20	12 - 28	4 (S355)	6	6	12	6	150 X 16	6
T30	28 - 40	5 (S355)	8	6	12	6	150 X 20	6
T38	40 - 60	5 (S355)	8	6	15	6	200 X 20	6
T46	75 - 100	6	8	6	20	6	250 X 25	6
T48	100 - 120	8	8	8	20	8	250 X 30	8
T53	120 - 130	8	10	8	25	8	250 X 30	8
T55	130 - 150	8	10	8	25	10	250 X 30	10
T58	150 - 190	10	10	8	25	10	300 X 35	10
T63	190 - 210	10	12	10	30	15	300 X 40	12
T64	210 - 250	10	15	10	30	15	300 X 40	12
T68	250 - 300	12	15	10	35	15	400 X 45	12
T70	300 - 380	12	20	12	40	15	400 X 50	15
T73	380 - 500	12	20	12	45	20	400 X 60	15
T78	500 - 800	15	25 - 30	15	50	20	450 X 70	20

Equipement

Class	PRO/J	PRO/E	PRO/F
T20	-	V13	-
T30	-	V17	-
T38	-	V17	-
T46	J250	V19	FC2.225L
T48	J250	V23	FC2.250RC
T53	J250	V23	FC2.250RC
T55	J300	V29	FC2.300RC
T58	J300	V29	FC2.300RC
T63	J350	V33	FC2.350RC
T64	J350	V33	FC2.350RC
T68	J400	V39	FC2.400RC
T70	J450	V43	FC2.460RC
T73	J550	V51	FC2.550RC
T78	J600	V59	FC2.600RC

Dimensions (mm)

Class	A	B	L
T20	370	425	230 - 600
T30	490	500	250 - 600
T38	620	690	250 - 700
T46	750	840	300 - 800
T48	805	900	400 - 1000
T53	900	1000	400 - 1000
T55	950	1050	400 - 1000
T58	1000	1100	500 - 1200
T63	1100	1200	500 - 1300
T64	1150	1350	500 - 1400
T68	1200	1450	700 - 1500
T70	1250	1500	800 - 1600
T73	1400	1700	800 - 1800
T78	1580	1930	900 - 1800

- Optional:
- Quick coupler
 - Delta blade
 - Protection shields

• Different sizes available on request. Trimeccanica company reserves the right to change, modify or improve the characteristics above at any time and without any prior notice.