

REV
SERIES

REV.V23.1




TRIMECCANICA

PROGETTAZIONE - COSTRUZIONE - ASSISTENZA

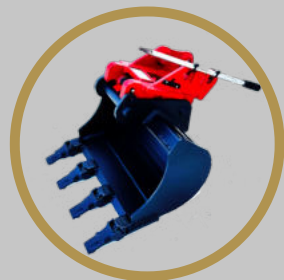
REV

REVERSO® QUICK COUPLER


Made in Italy

DEDICATED QUICK COUPLER FOR WHEELED AND RUBBER TRACKED VEHICLES

Reverso system, dedicated quick coupler goes between the excavator and the bucket, making it easier to replace the equipment. Thanks to this tool, installing and removing the bucket on and from the excavator's arm is faster, increasing work efficiency and accuracy thanks to clearance recovery and unaffected movements geometry. It's Possible to install any equipment both backwards and frontally. The integrated system SICURBLOCK guarantees the maximum safety against accidental uncoupling. The wide range of models allows the perfect match for every excavator from 0.6 to 10 ton, providing the best performance for each specific class and application.



Automatic
blocking
Uncoupling
with
standard
key

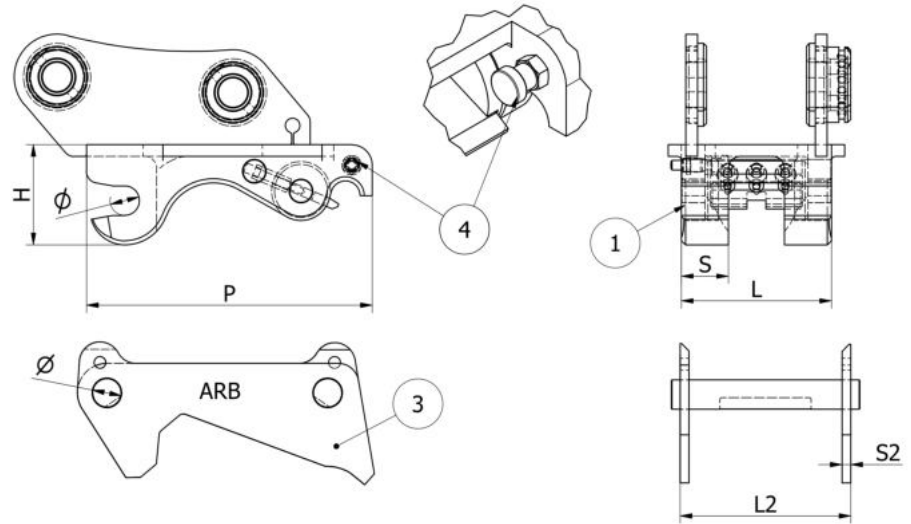
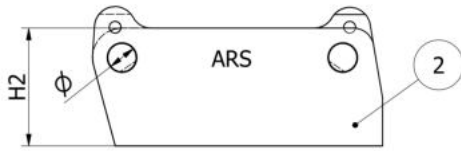


Simple,
strong and
cheap



SICURBLOCK
automatic
fall arrest
system

REVERSCO®



Technical features coupler

Class	Operating weight (Q)	Model (1)	Weight	Cap. Lift. Hook (Kg) *	SICURBLOCK (4)
T10	6-12	GRM025	30	1100	M16
T20	12-18	GRM025	32	1100	M16
T22	18-28	GRM025	34	1100	M16
T30	28-40	GRM050	50	2000	M20
T38	40-60	GRM050	57	2000	M20
T45	60-70	GRM050	57	2000	M20
T46	75-100	GRM100	84	3000	M24

Dimensions (mm)

Model	H	P	Ø	L	S
GRM025	106	274	30	145	50
GRM050	140	390	40	235	60
GRM100	170	485	50	255	80

Saddles adapter (2) – Buckets adapter (3)

Model	L2	S2	H2	KG	Model	KG
ARS025	170	10	140	7.6	ARB025	5.2
ARS050	264	12	130	14	ARB050	13.5
ARS100	290	15	200	31	ARB100	25

Optional:
• Lifting hook *

* Different dimensions available on request. Trimeccanica company reserves the right to change, modify or improve the characteristics above at any time and without any prior notice.